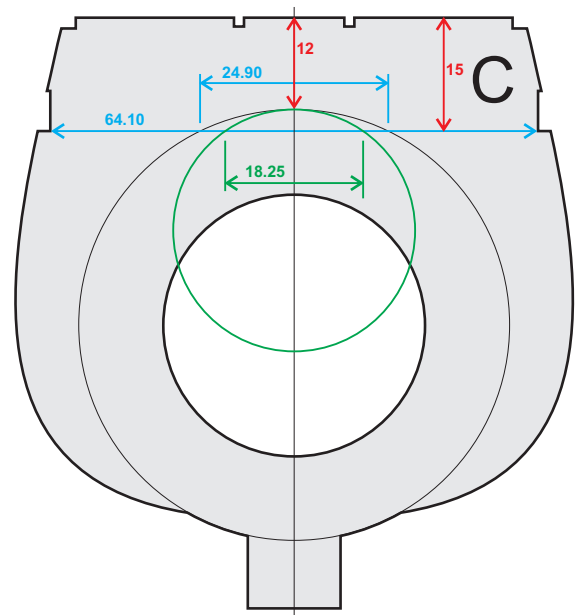
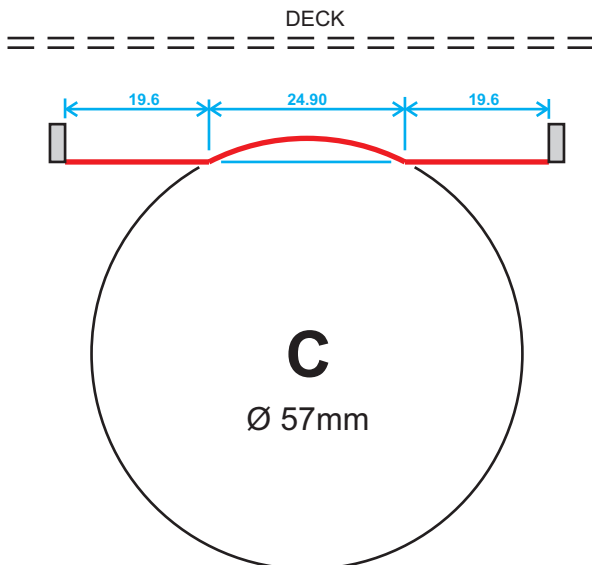
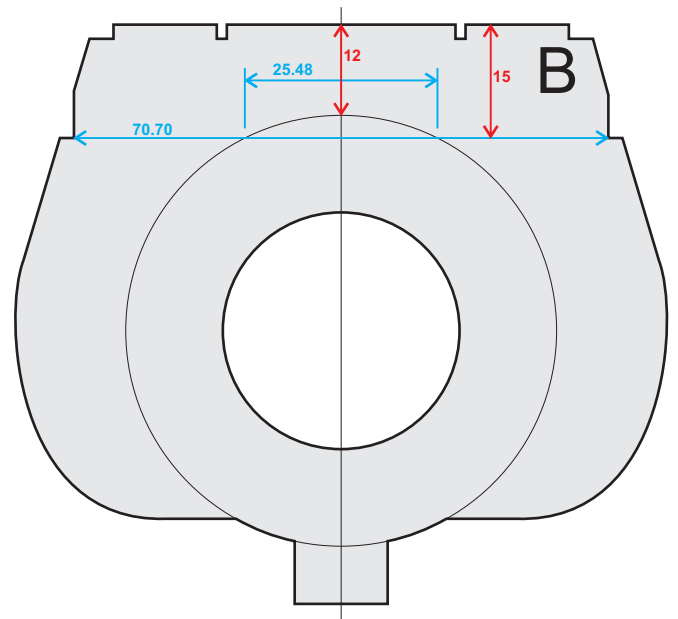
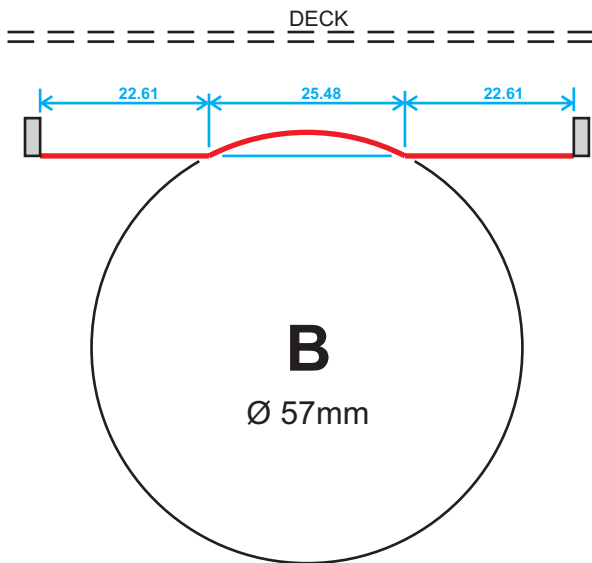
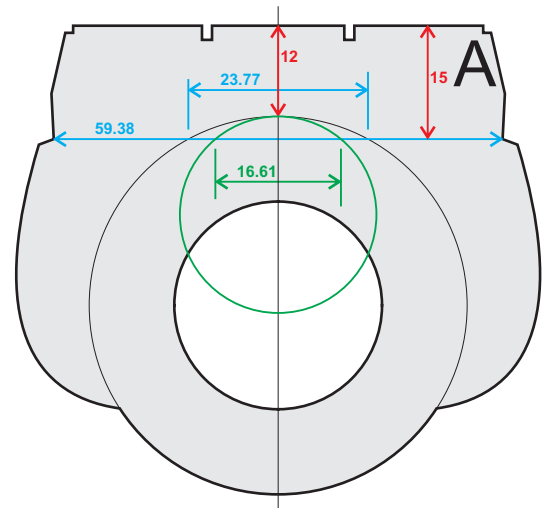
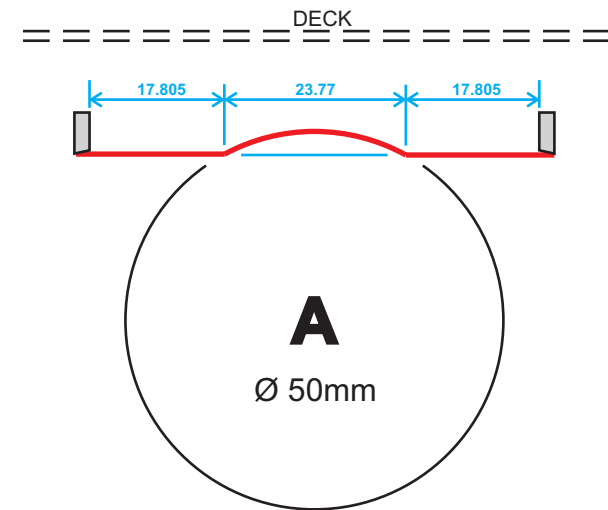
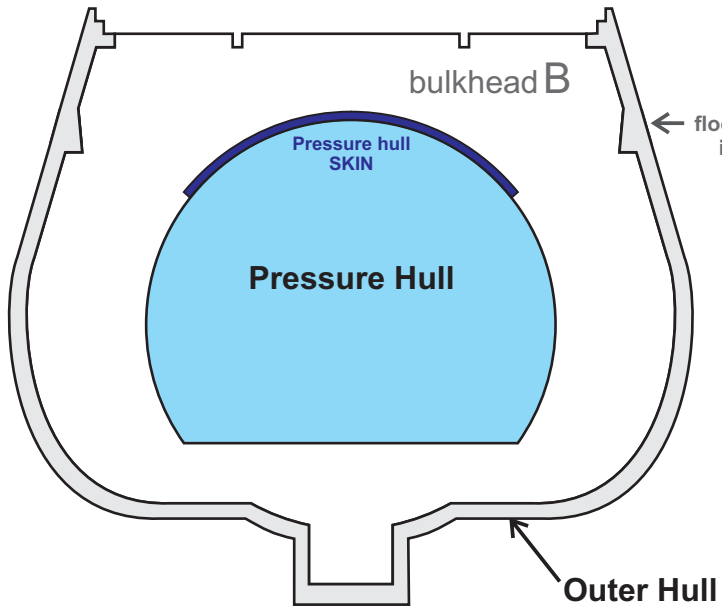


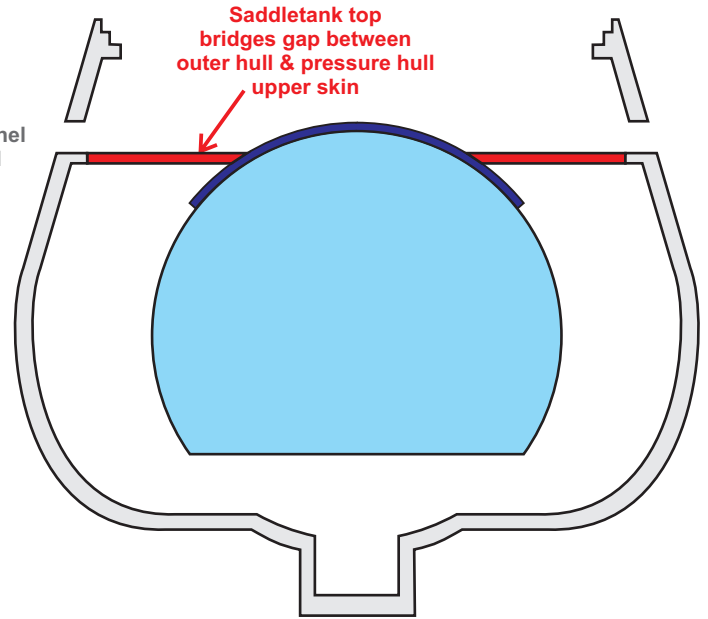
Bulkheads



Saddletanks: X-section



Cut out
flooding channel
in outer hull



Full Length - All Features

Scale 1:1

0

102

275

586

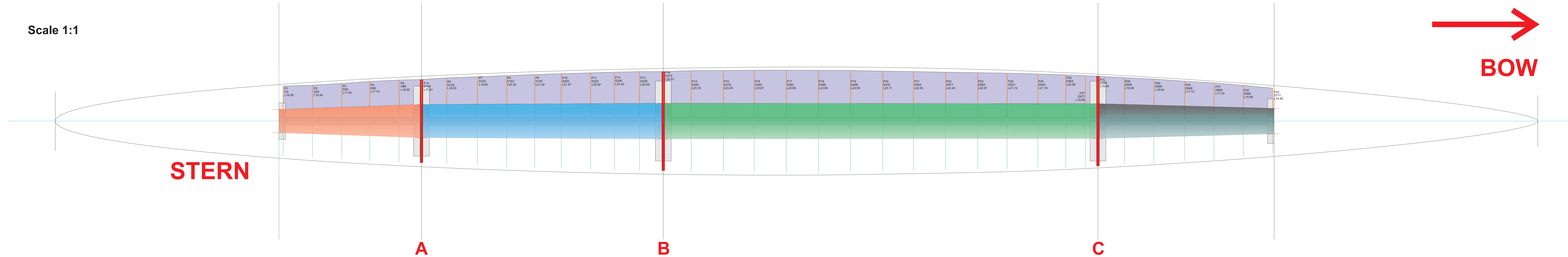
STERN

A

B

C

BOW



P1 D3 L16.59	P2 D24 L16.54	P3 D45 L17.00	P4 D65 L17.74	P5 D86 L18.00	P6 D120 L18.93	P7 D142 L19.62	P8 D163 L20.32	P9 D183 L21.02	P10 D202 L21.47	P11 D223 L22.02	P12 D240 L22.43	P13 D258 L22.69	P14 D295 L23.33	P15 D318 L23.45	P16 D340 L23.67	P17 D363 L23.89	P18 D386 L23.66	P19 D409 L23.59	P20 D432 L23.11	P21 D454 L22.83	P22 D477 L22.40	P23 D500 L22.07	P24 D521 L21.74	P25 D543 L21.16	P26 D563 L20.58	P27 D577 L19.99	P28 D605 L19.08	P29 D626 L18.64	P30 D648 L17.72	P31 D669 L17.03	P32 D690 L15.89	P33 D711 L14.40
--------------------	---------------------	---------------------	---------------------	---------------------	----------------------	----------------------	----------------------	----------------------	-----------------------	-----------------------	-----------------------	-----------------------	-----------------------	-----------------------	-----------------------	-----------------------	-----------------------	-----------------------	-----------------------	-----------------------	-----------------------	-----------------------	-----------------------	-----------------------	-----------------------	-----------------------	-----------------------	-----------------------	-----------------------	-----------------------	-----------------------	-----------------------

Saddletank Tops

Scale 1:1

